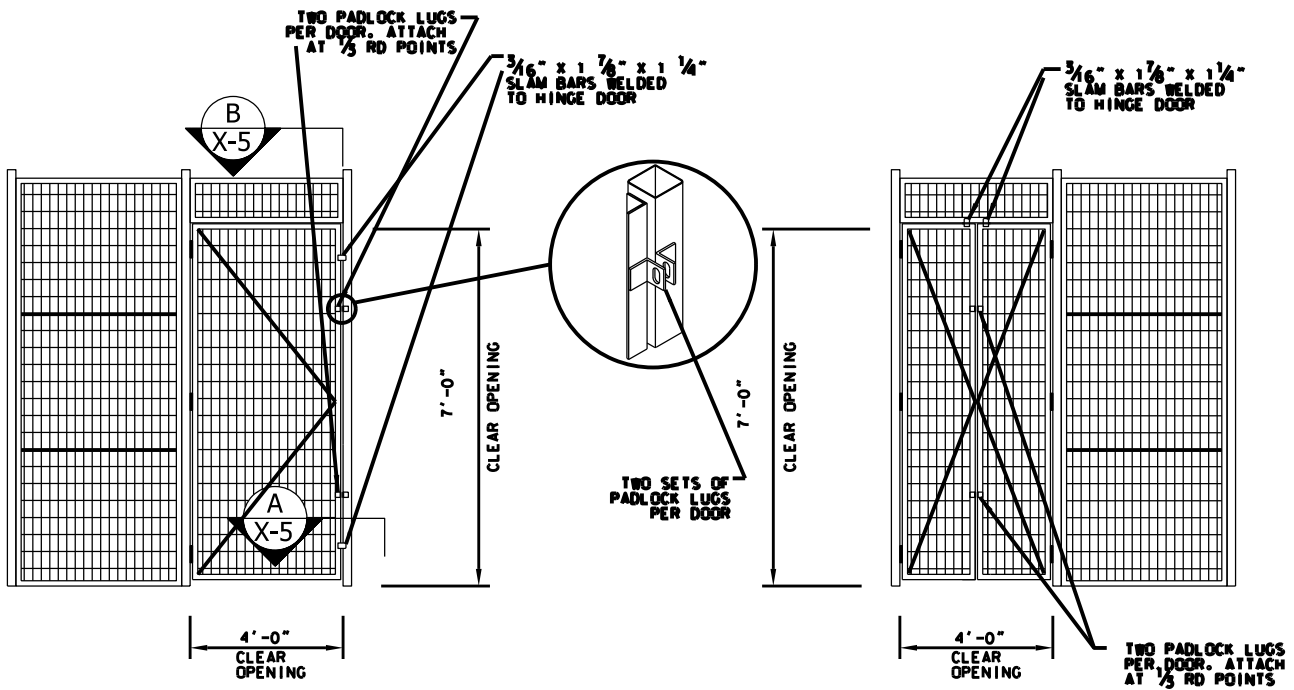


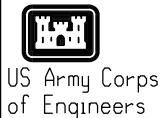
TYP UNIT STORAGE ELEVATION (A)
NO SCALE



ELEVATION (B1)
NO SCALE

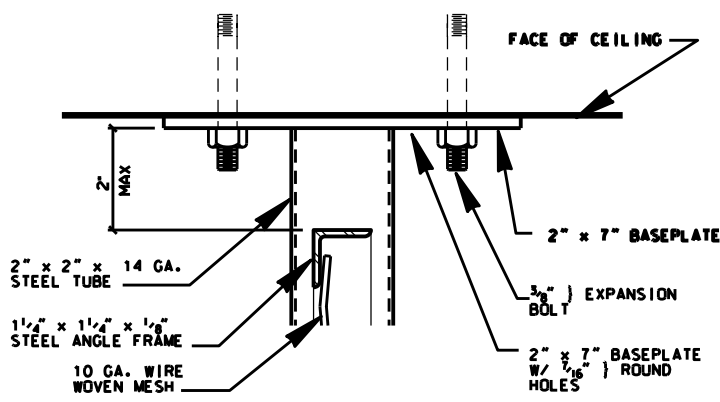
ELEVATION (B2)
NO SCALE

Design By: DJA	Drawn By: DJA	Checked By: ESC
Reviewed By:	Approved By:	
Date: REV. DEC. 2014	Scale: NO SCALE	

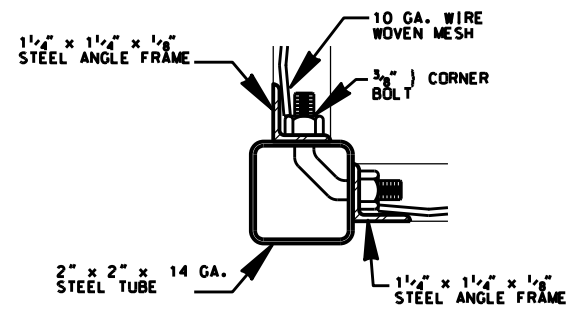


UNIT STORAGE ELEVATIONS

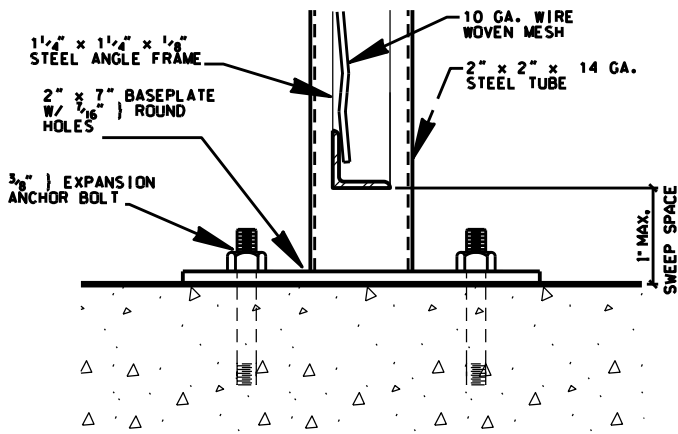
Drawing Code:	Sheet Ref. No. X-3	Sht <u>2</u> of <u>4</u>
---------------	------------------------------	--------------------------



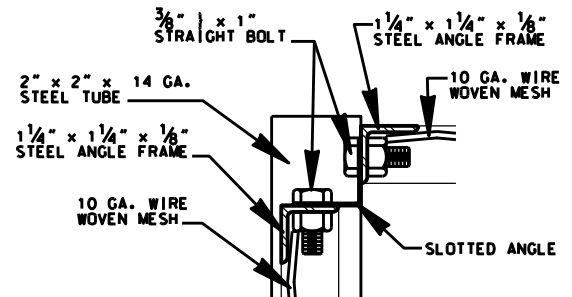
CEILING DETAIL



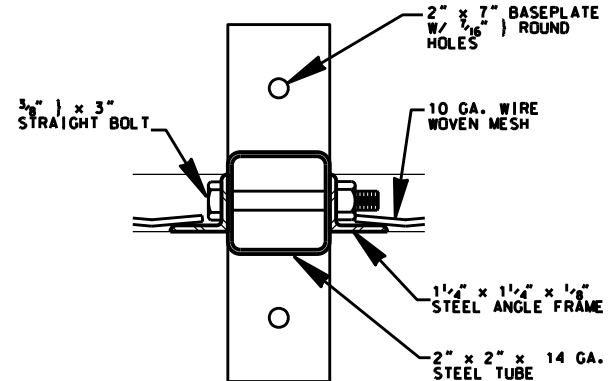
CORNER CONDITION DETAIL



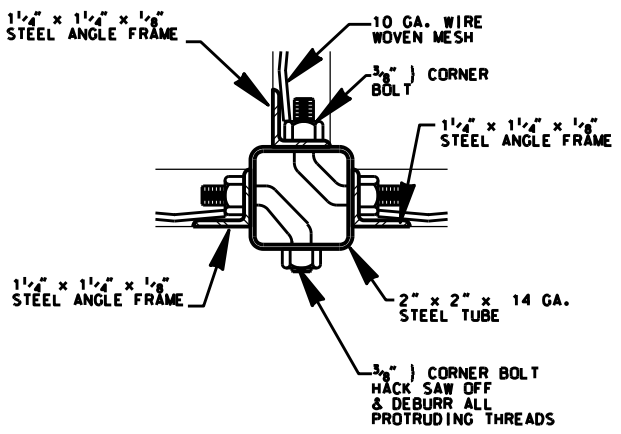
BASE DETAIL



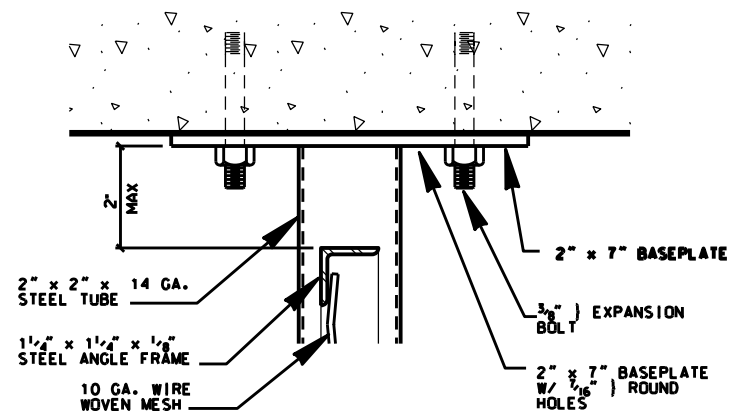
CAGE CEILING DETAIL



POST CONDITION DETAIL

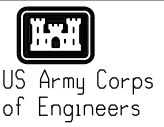


TUBE CONDITION DETAIL



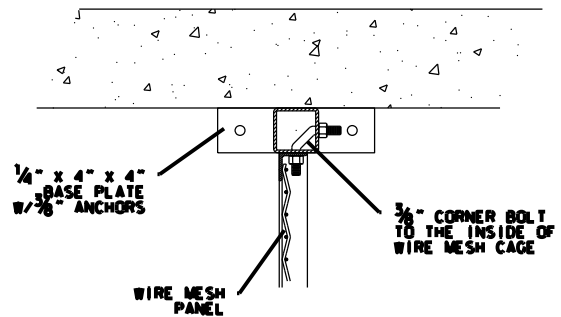
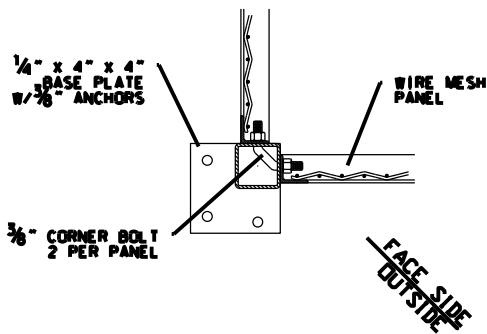
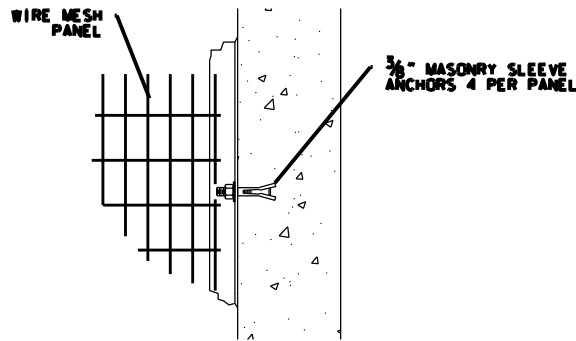
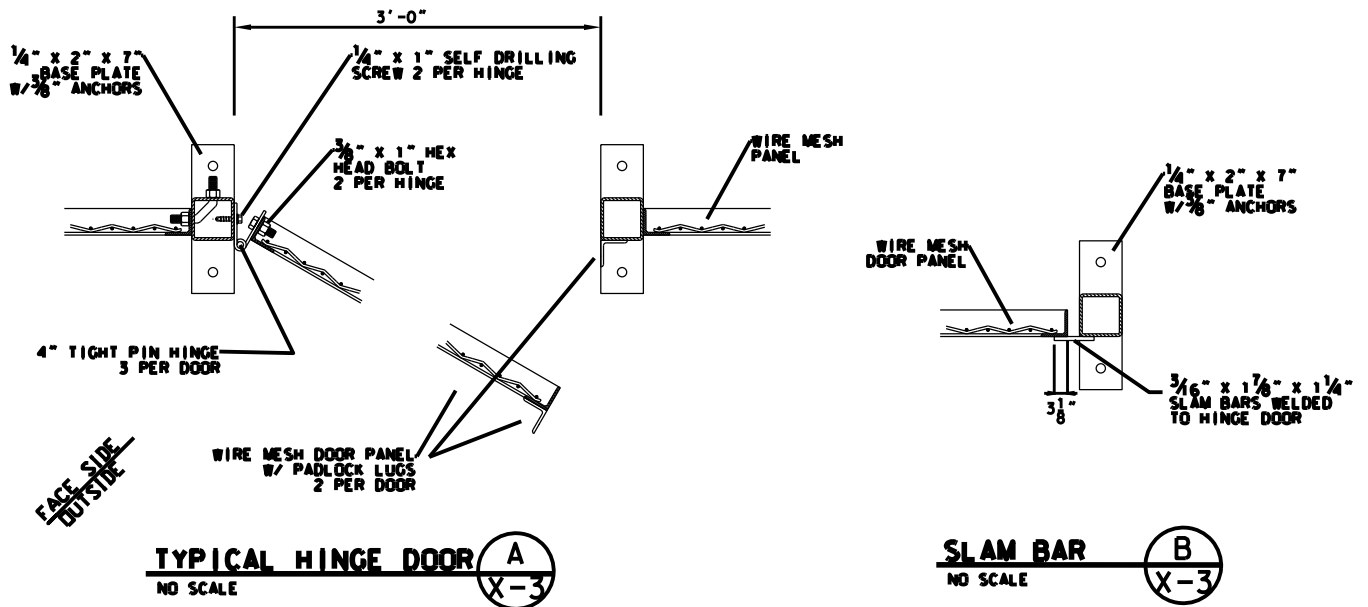
WALL CONDITION DETAIL

Design By: DJA	Drawn By: DJA	Checked By: ESC
Reviewed By:	Approved By:	
Date: NOV. 2006	Scale: NO SCALE	Drawing Code:




TYPICAL CAGING DETAILS

Sheet Ref. No. X-4	Sht 3 of 4
------------------------------	--------------------------



Design By: DJA	Drawn By: DJA	Checked By: ESC
Reviewed By:	Approved By:	
Date: NOV. 2006	Scale: NO SCALE	Drawing Code:


US Army Corps
of Engineers

TYPICAL CAGING DETAILS

Sheet Ref. No. X-5	Sht <u>4</u> of <u>4</u>
------------------------------	--------------------------