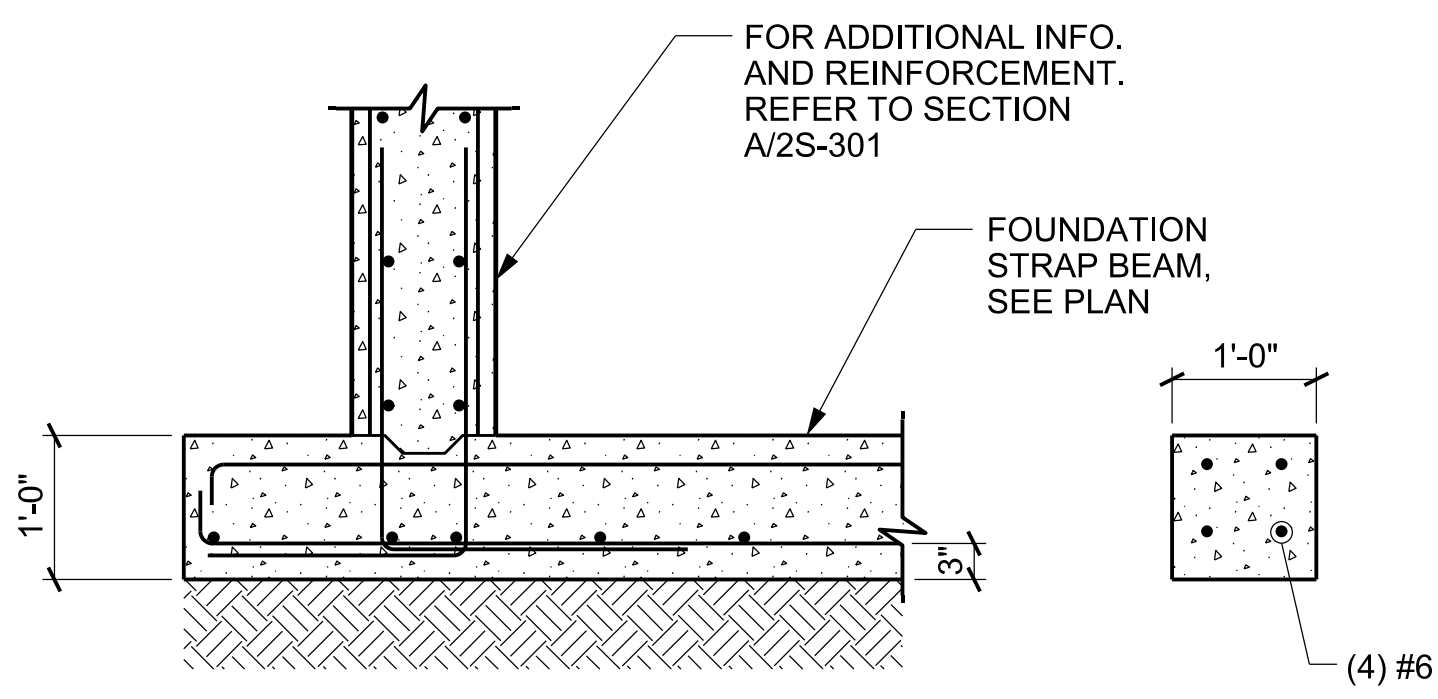
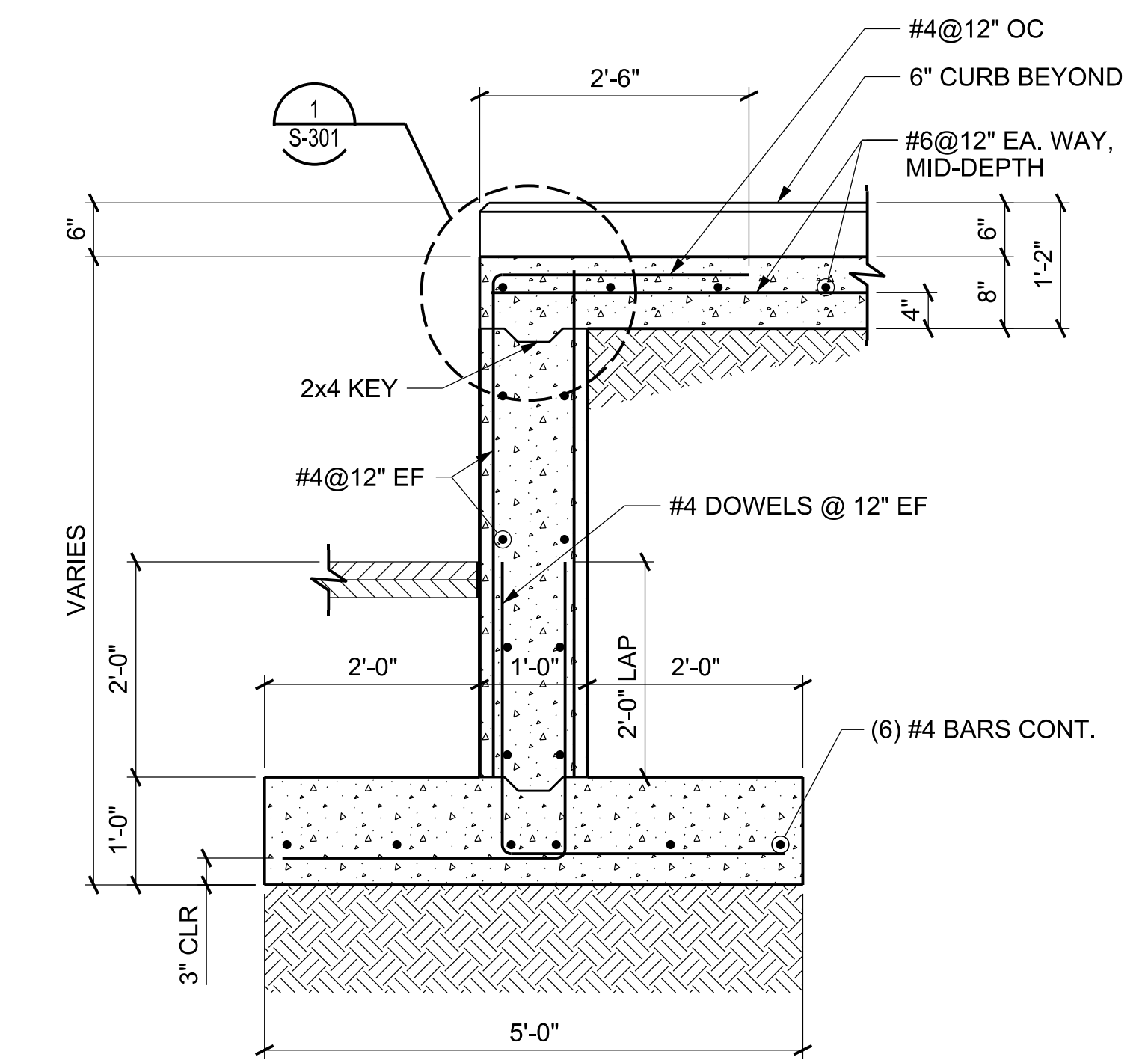


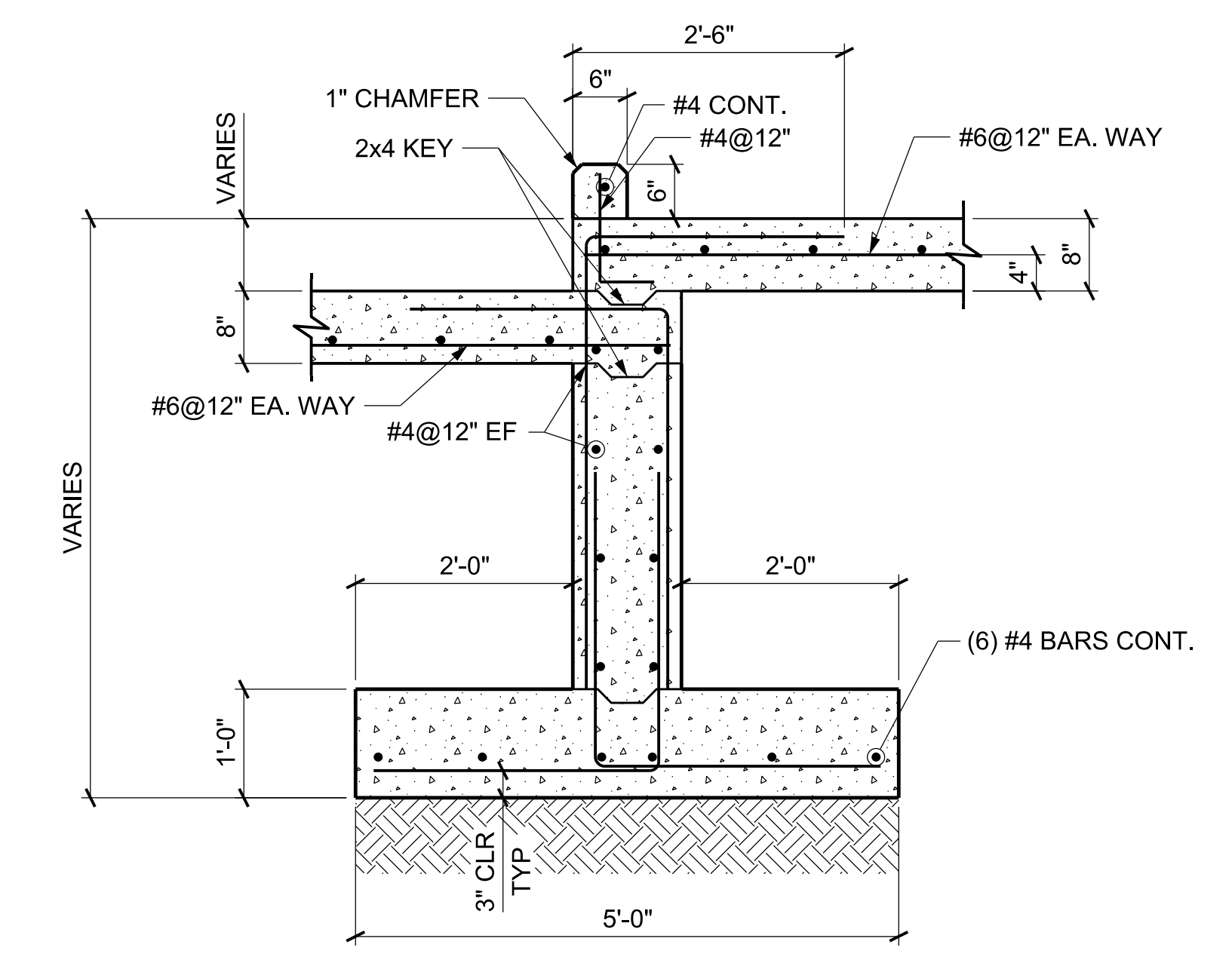
**SECTION A**  
S-110 SCALE: 3/4"=1'-0"



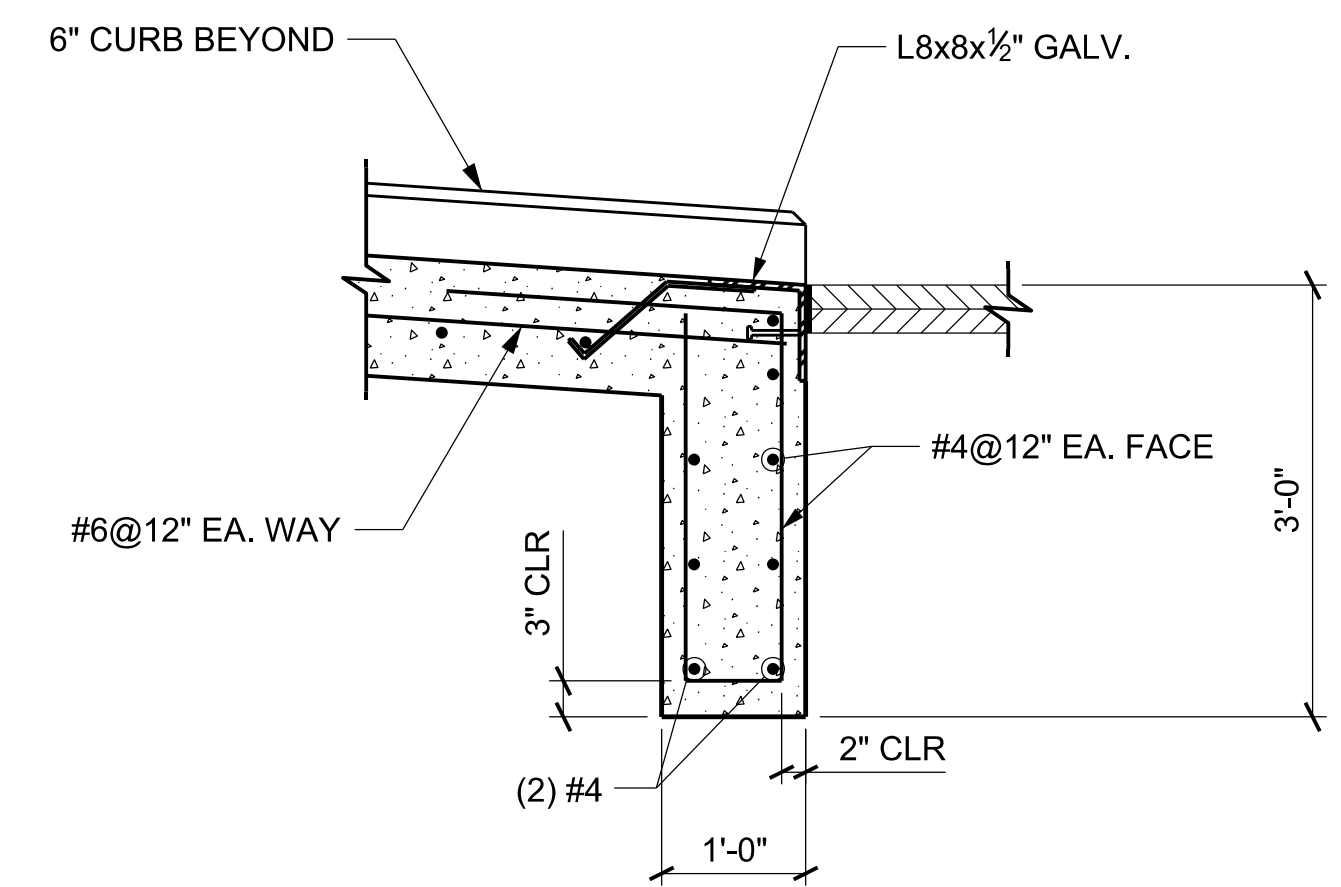
**SECTION B**  
S-110 SCALE: 3/4"=1'-0"



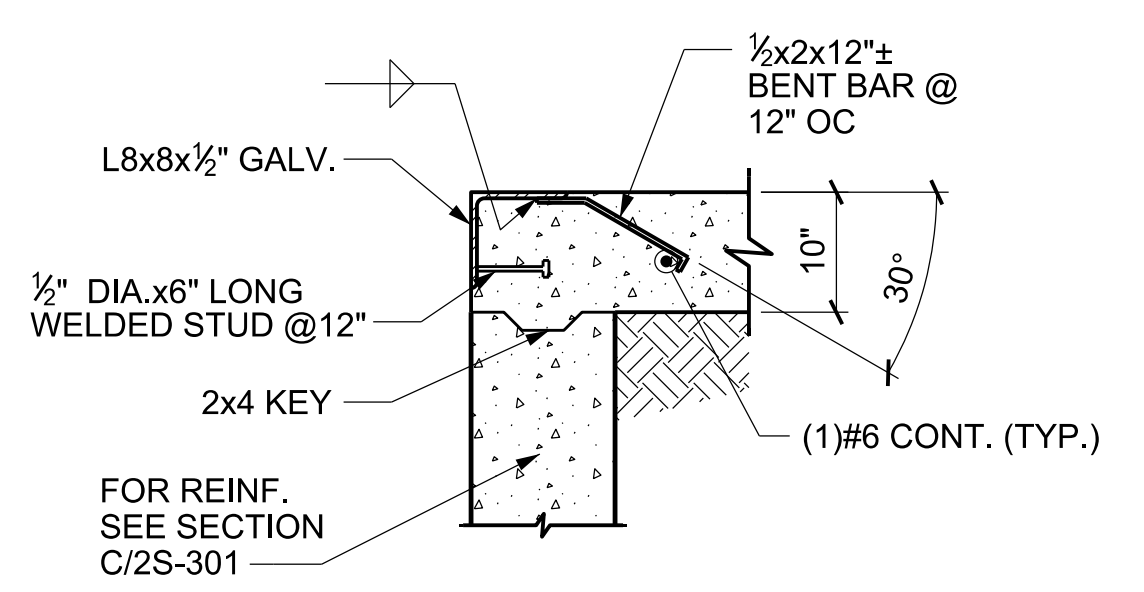
**SECTION C**  
S-110 SCALE: 3/4"=1'-0"



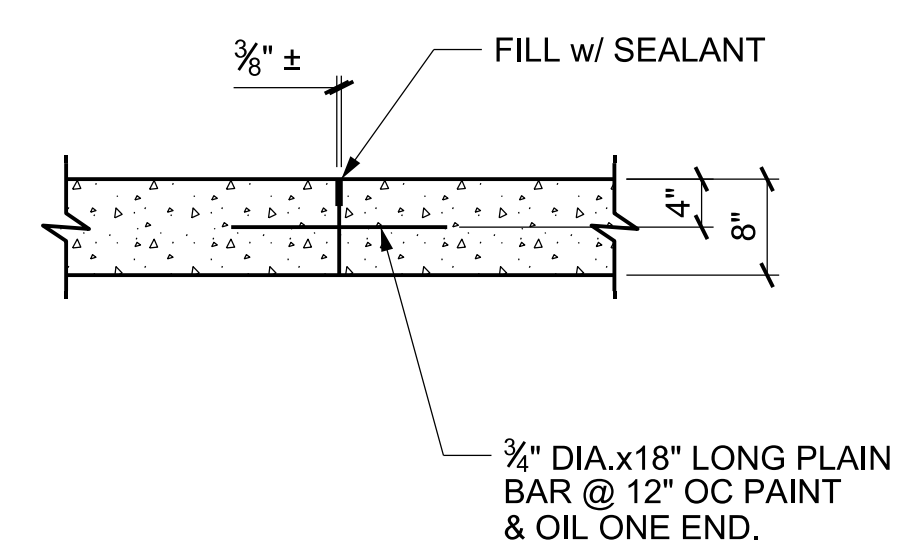
**SECTION D**  
S-110 SCALE: 3/4"=1'-0"



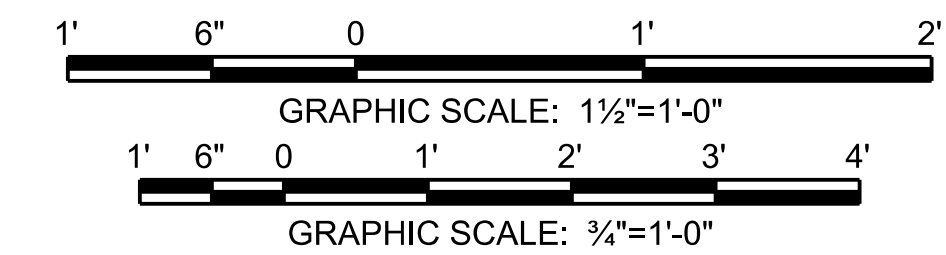
**SECTION E**  
S-110 SCALE: 3/4"=1'-0"



**DETAIL 1**  
S-301 SCALE: 1 1/2"=1'-0"



**CONSTRUCTION JOINT**  
SCALE: 3/4"=1'-0"



DATE	APPR
DESCRIPTION	MARK
DATE	APPR
DESCRIPTION	MARK

DESIGNED BY:	SOLICITATION NO.:
DWN BY:	CONTRACT NO.:
SUBMITTED BY:	FILE NUMBER:
PROJECT NAME:	MR-P&I-200
DATE:	SDATES:
FILE NAME:	SIZE:
ANSI D:	FILE SIZE:

PROJECT NAME:	LOADING RAMP SECTIONS AND DETAILS
PROJECT LOCATION:	
PROJECT #: XXXXX	
P2# XXXXX	

SHEET IDENTIFICATION
<b>S-301</b>

SPFILES  
SDATES  
STIMES