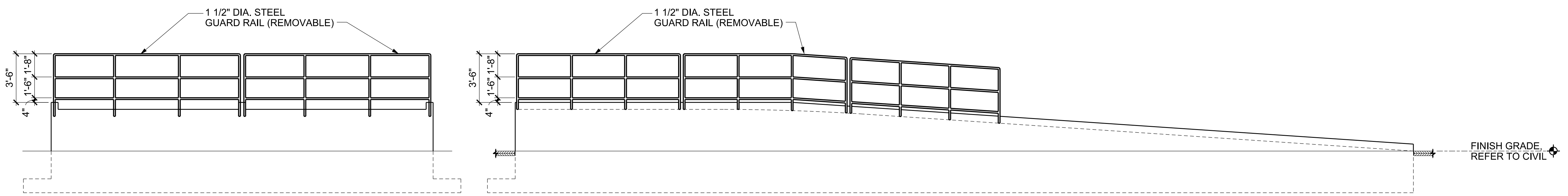
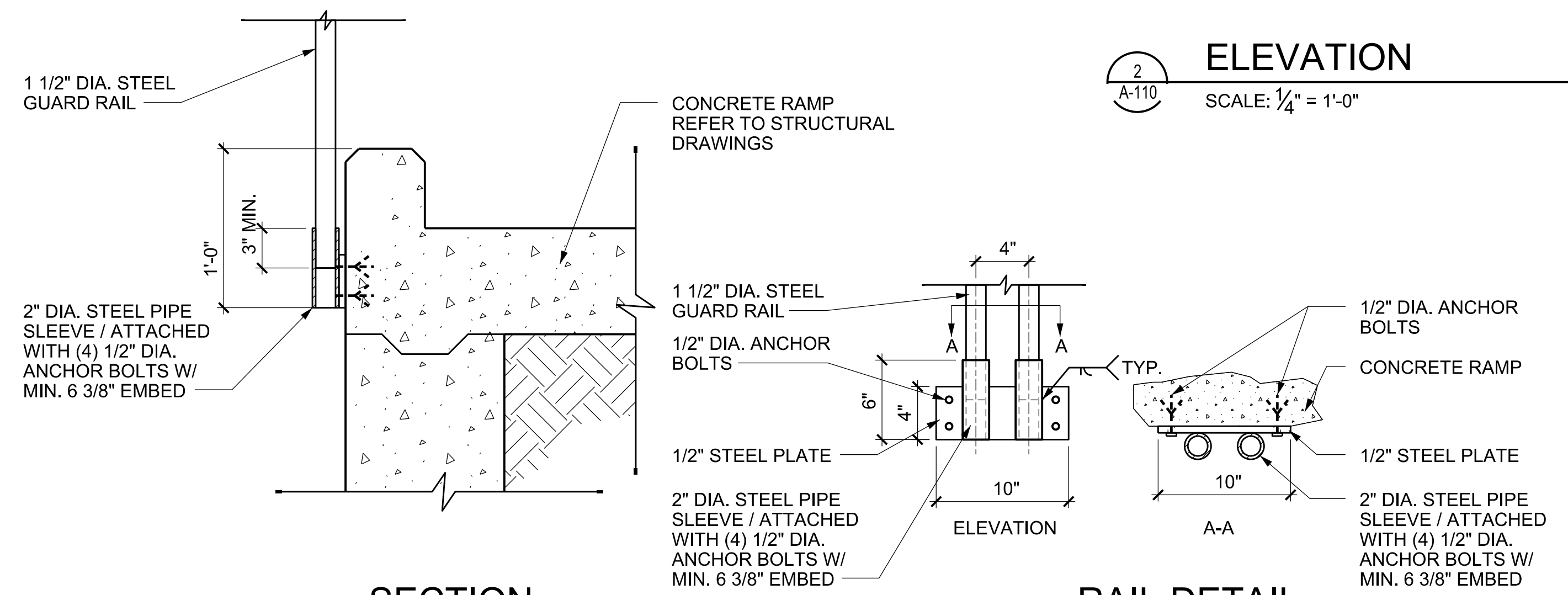


1
A-110
LOADING RAMP PLAN
SCALE: 1/4" = 1'-0"

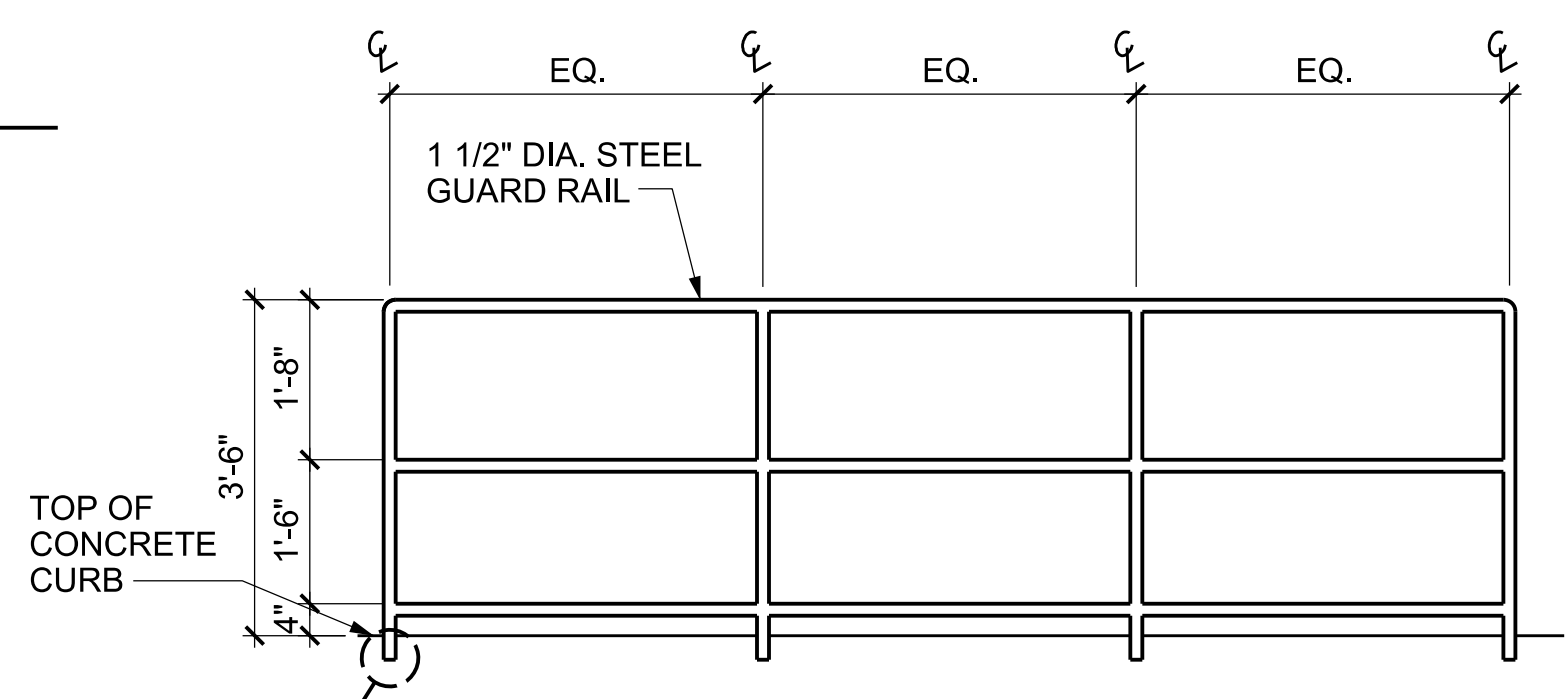


2
A-110
ELEVATION
SCALE: 1/4" = 1'-0"

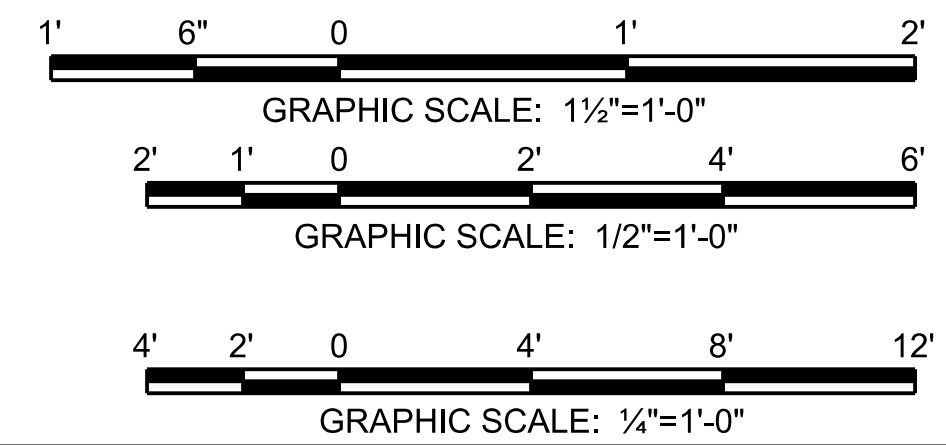


3
A-110
SECTION
SCALE: 1 1/2" = 1'-0"

4
A-110
RAIL DETAIL
SCALE: 1 1/2" = 1'-0"



5
A-110
TYPICAL RAIL DETAIL
SCALE: 1/2" = 1'-0"



US Army Corps
of Engineers
Louisville District

MARK	DESCRIPTION	DATE	APPR.

DESIGNED BY: R. SOUTH	CHECKED BY: R. SOUTH	SOLICITATION NO.:	CONTRACT NO.:
DATE:	DATE:	FILE NUMBER: MR-P-04/200	FILE NUMBER: MR-P-04/200
PROJECT LOCATION: LOUISVILLE, KENTUCKY	PROJECT #: XXXX	PROJECT NAME: LOADING RAMP	PROJECT NAME: LOADING RAMP
PROJECT NAME: LOADING RAMP	PROJECT NAME: LOADING RAMP	PROJECT NAME: LOADING RAMP	PROJECT NAME: LOADING RAMP

PROJECT NAME: LOADING RAMP
PROJECT LOCATION: LOUISVILLE, KENTUCKY
PROJECT #: XXXX
PROJECT NAME: LOADING RAMP
PROJECT NAME: LOADING RAMP
PROJECT NAME: LOADING RAMP

SHEET IDENTIFICATION
5A-110

FILES
DATES
STIMES