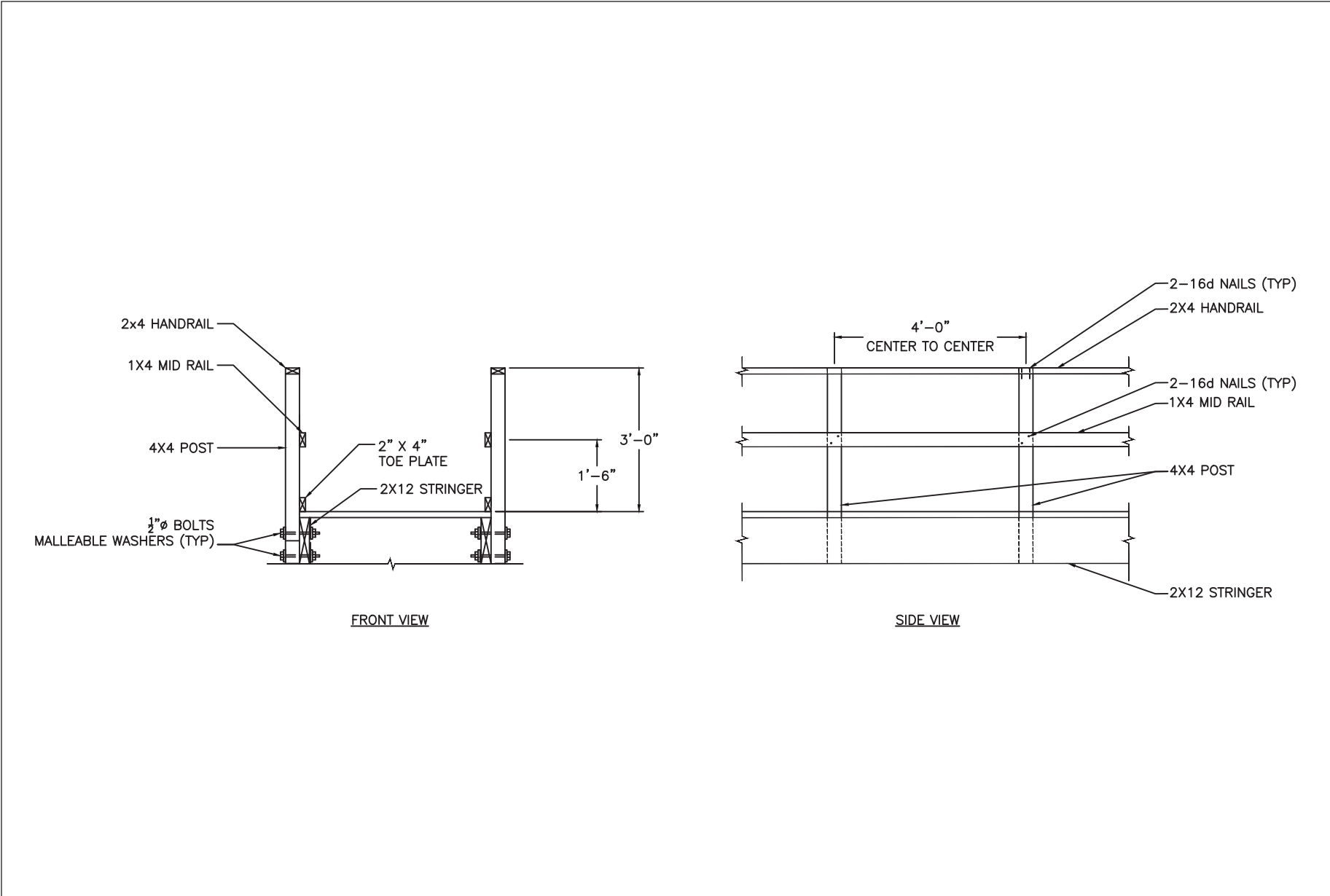


SOURCE: SFO, 2023

SFO Shoreline Structures Repair Program



**FIGURE 3**  
**PIER/PILE STRENGTHENING DETAIL**

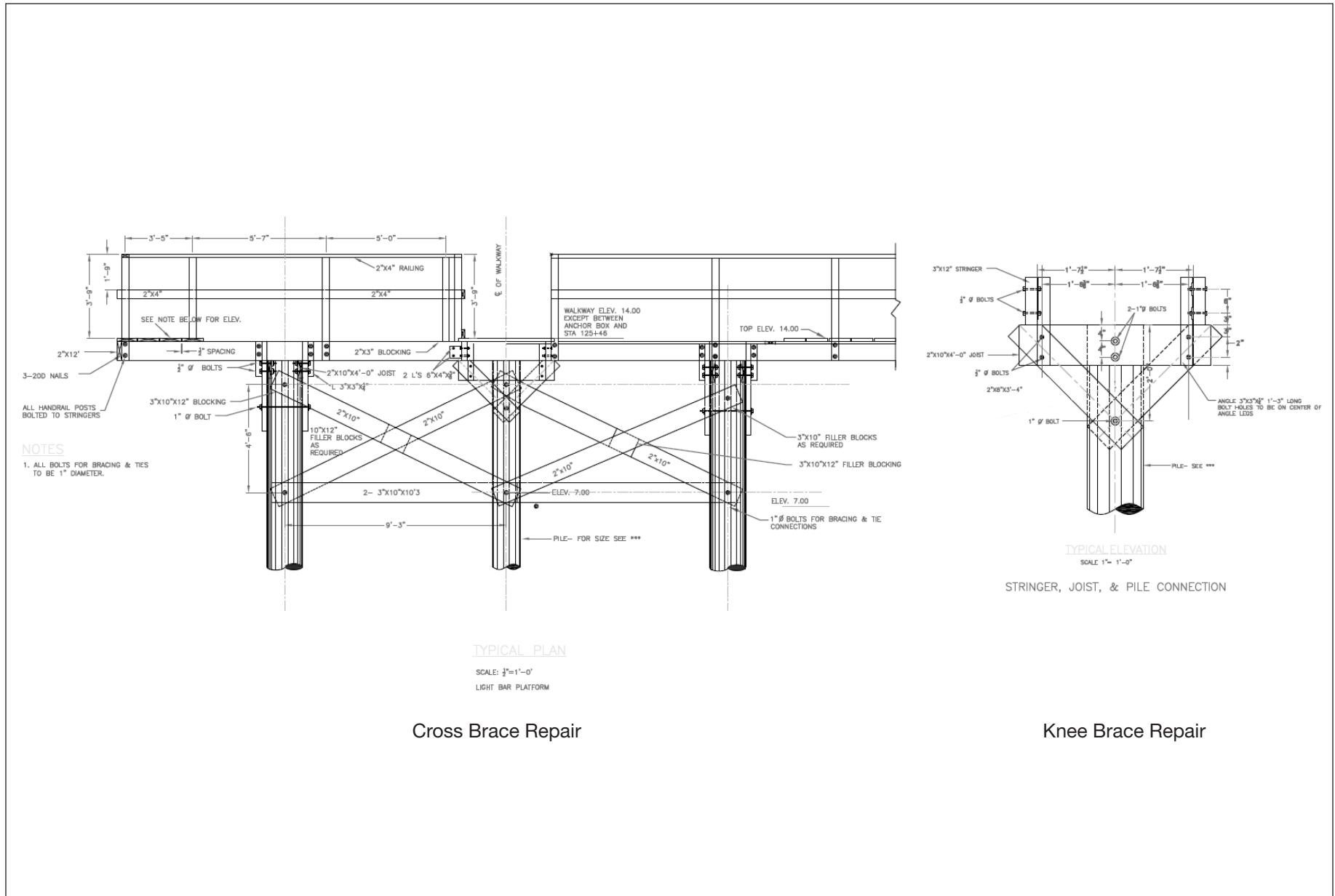


SOURCE: SFO, 2023

SFO Shoreline Structures Repair Program

**FIGURE 4**  
TYPICAL TIMBER TRESTLE COMPONENT REPAIR – GUARDRAIL AND STRINGER



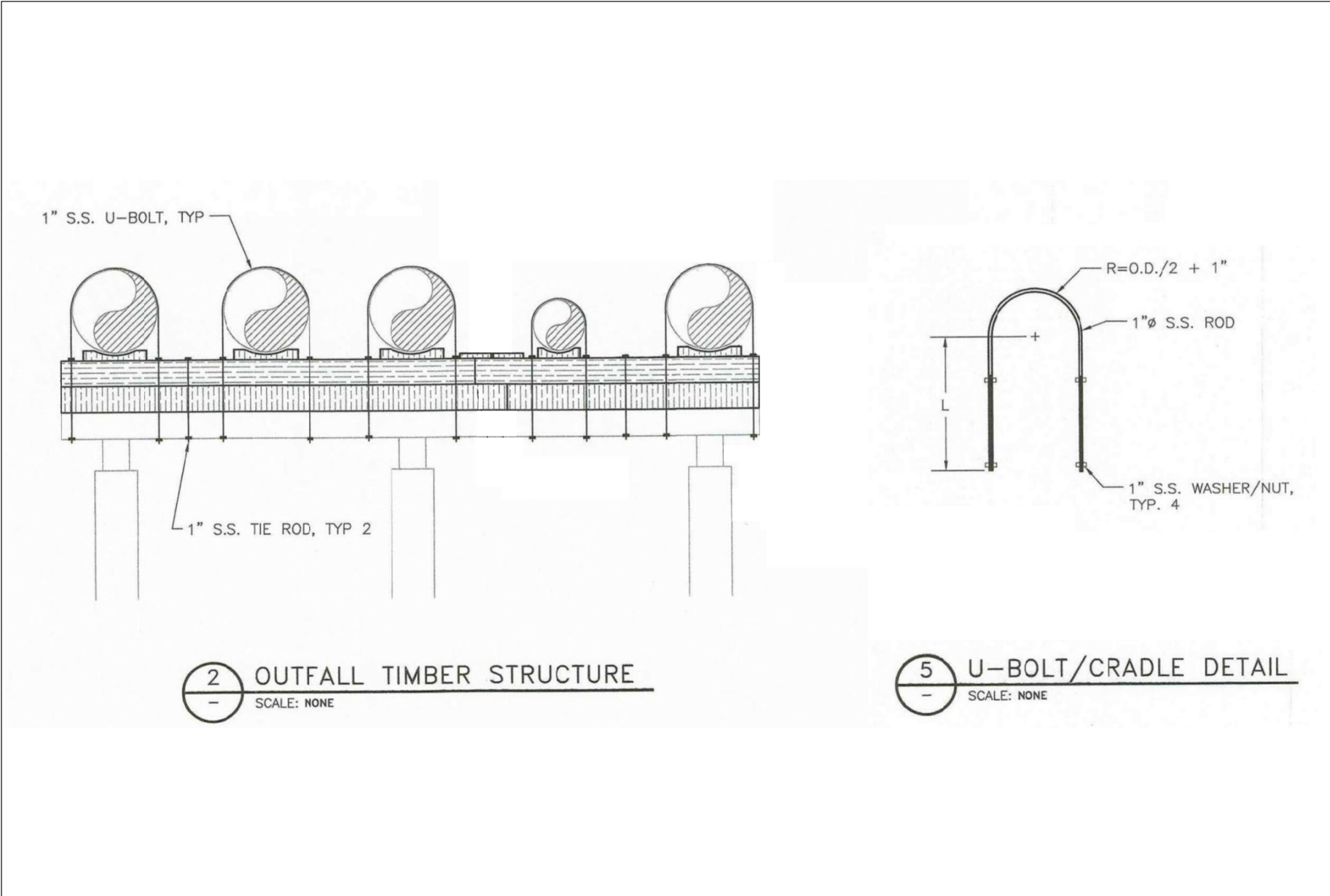


SOURCE: SFO, 2023

SFO Shoreline Structures Repair Program



**FIGURE 5**  
**TYPICAL TIMBER TRETTLE COMPONENT REPAIR – CROSS AND KNEE BRACE**



2 OUTFALL TIMBER STRUCTURE  
SCALE: NONE

5 U-BOLT/CRADLE DETAIL  
SCALE: NONE

SOURCE: SFO, 2023

SFO Shoreline Structures Repair Program



**FIGURE 6**  
**OUTFALL CONNECTION STRAP REPLACEMENT**